

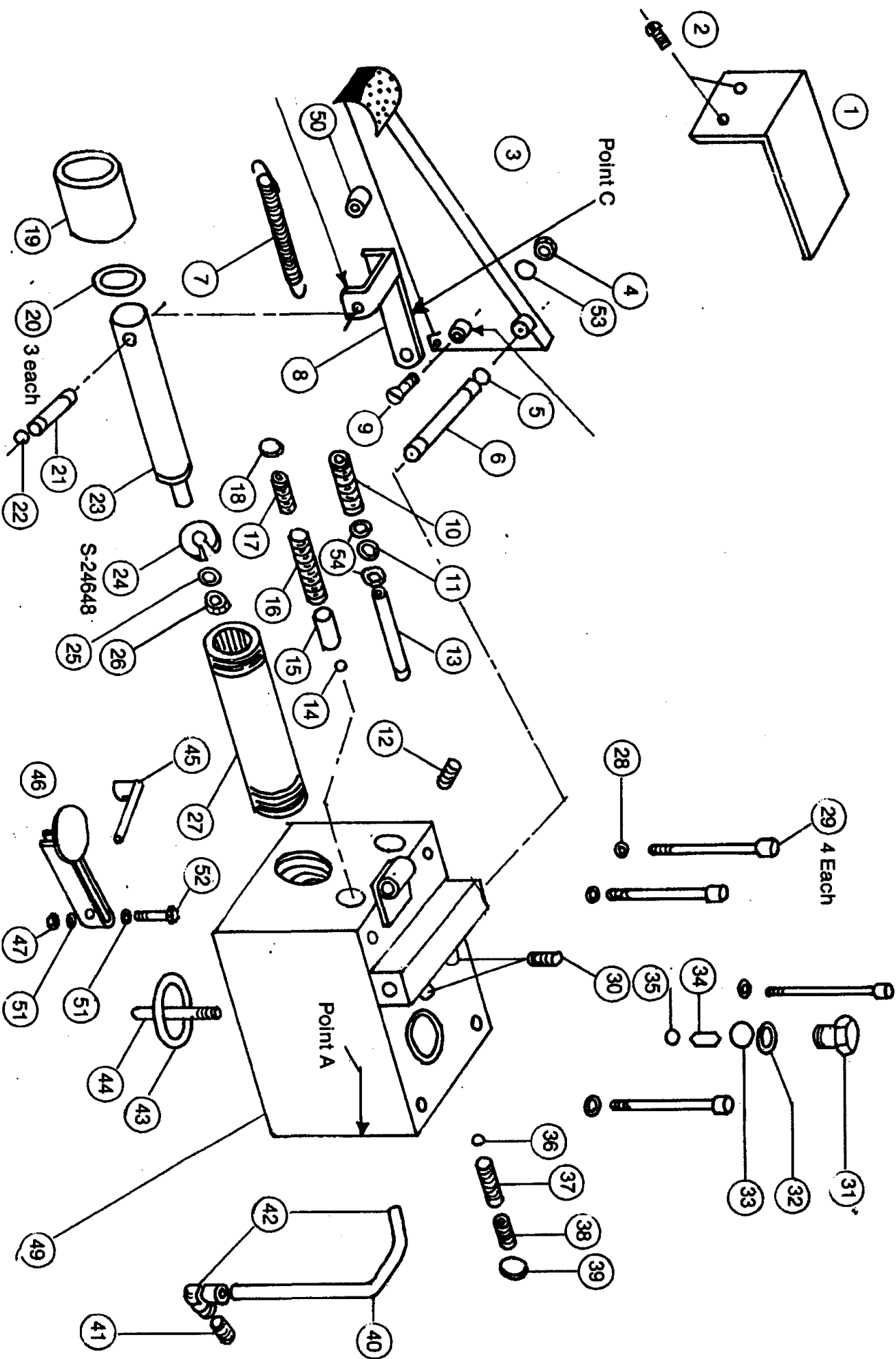
**WEAVER<sup>®</sup>**

# **Model WA-140**

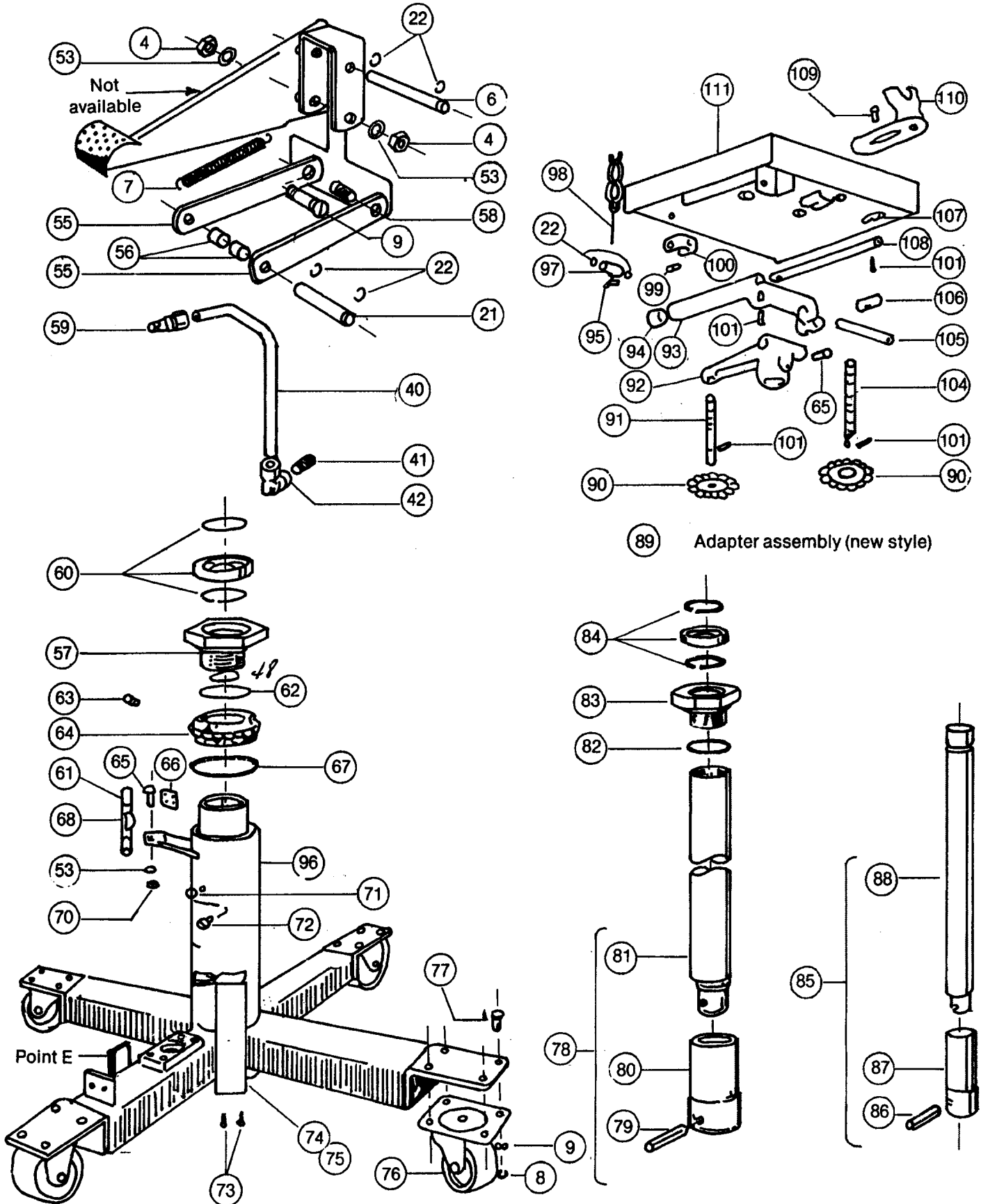
## **Parts List and Breakdown**

**Weaver Jack Corporation  
343 Lawrence Street  
Adrian, MI 49221  
(517) 263-6500**

# WA-140 Parts Breakdown



# WA-140 Parts Breakdown



## WA-140 Repair Parts List

ITEM #	PART #	DESCRIPTION	ITEM #	PART #	DESCRIPTION
1.	S-17000	PUMP COVER	61.	S-20886	HANDLE GRIP
2.	S-6655	RD HD MACH SCW 1/4-20	62.	S-17407	O-RING
3.	AS-17397	FOOT PEDAL ASSEMBLY	63.	S-18071	PIPE PLUG
4.	S-7573	HEX NUT 3/8-24	64.	M-2071	RESERVOIR CAP
5.	S-12774	SNAP RING	65.	S-175	HEX HD CAP SCREW
6.	S-17386	YOKE PIN	66.	S-18577	NAME PLATE
7.	S-17474	SPRING	67.	S-22964	CYLINDER CAP GASKET
8.	AS-17384	PUMP LINK	68.	S-15064	HANDLE TUBE
9.	S-17473	LINK PIN	70.	S-595	HEX NUT
10.	S-1699	RELEASE PACKING NUT	71.	S-11563	WASHER
11.	S-11	RELEASE PACKING	72.	S-6579	RD HD MACHINE SCREW
12.	S-1805	PIPE PLUG 1/8	73.	S-17468	FLAT HD MACHINE SCREW
13.	S-1700	RELEASE LEVER	74.	AS-17467	LINE COVER
14.	S-10	BALL PSE 1/4	75.	AS-17467A	LINE COVER
15.	S-9	PSI CUP	76.	AS-17439	CASTER
16.	S-18	PSI SPRING	77.	S-105	HEX HD CAP SCREW
17.	S-7	PRESSURE SET SCREW 1/2-20	78.	AS-20603	INNER CYLINDER ASSEMBLY
18.	S-8	WELCH PLUG 9/16	79.	S-14110	ROLL PIN
19.	S-12580A	PACKING NUT 1-1/4	80.	AS-20613	CYLINDER BEARING & SLEEVE
20.	S-12588	PACKING (3 SET)	81.	AS-20610	INNER CYLINDER
21.	S-17383	PUMP PIN	82.	S-20621	O-RING
22.	S-12774	SNAP RING	83.	M-2195	UPPER LOCKING COLLAR
23.	S-12582	PUMP ROD 7/8	84.	S-20619	GT RING
24.	S-24648	PUMP CUP	85.	AS-20599	COLUMN PISTON ASSEMBLY
25.	S-12583	PUMP CUP WASHER	86.	S-15694	ROLL PIN
26.	S-1863	HEX NUT 5/16-24	87.	AS-20602	PISTON BEARING & SLEEVE
27.	S-20978	PUMP TUBE	88.	S-20598	PISTON ROD
28.	S-543	LOCKWASHER 1/4	89.	AS-24507	HEAD ASSEMBLY
29.	S-5	ALLENHEAD 1/4-20 X 3-1/2	90.	M-1931	SCREW KNOB
30.	S-1805	PIPE PLUG 1/8	91.	S-12610	TILTING SCREW
31.	S-9309	BALL CHAMBER PLUG	92.	M-1933	TILTING BRACKET
32.	S-2594	BALL CHAMBER GASKET	93.	M-2274	HINGE
33.	S-2750	BALL 1/2	94.	S-25169	SPACERS
34.	S-10069	BALL WEIGHT 1/4	95.	S-20234	WING NUT
35.	S-2505	BALL 5/16	96.	AS-20616	FRAME ASSEMBLY
36.	S-15	RELEASE BALL	97.	S-20217	SCREW PIVOT BAR
37.	S-17	RELEASE SPRING	98.	S-20235	STRAIGHT LINK COIL CHAIN
38.	S-6	RELEASE TENSION SCW 7/16-20	99.	S-20218	SWIVEL PIN
39.	S-20	WELCH PLUG	100.	S-20219	SWIVEL BRACKET
40.	S-17445A	TUBE	101.	S-12617	ROLL PIN
41.	S-20945	CLOSE NIPPLE 1/8	104.	AS-12606	SADDLE SCREW ASSEMBLY
42.	S-20944	90° ELBOW 1/4 TUBE TO 1/8 PIPE	105.	S-12613	TILTING PIN
43.	S-24343	O-RING STATIC SEAL	106.	S-12615	ADAPTER NUT
44.	S-17388	INTAKE LINE	107.	S-12625	WING NUT
45.	AS-20970A	RELEASE SHAFT	108.	S-24503	TILTING PIN
46.	AS-20962A	RELEASE PEDAL ASSEMBLY	109.	S-12630	CARRIAGE BOLT
47.	S-595	HEX NUT 3/8-16	110.	AS-20439	ADAPTER FOOT
48.	S-20622	O-RING	111.	AS-24490	TABLE ASSEMBLY
49.	S-20988	CIRCUIT BLOCK			
50.	S-17387A	PUMP SPACER			
51.	S-19909	RELEASE CLAMP WASHER			
52.	S-3165	CAP SCREW 3/8-16 X 1-1/2			
53.	S-3277	INT. LOCKWASHER			
54.	S-14	RELEASE PACKING WASHER			
55.	S-17384	LINK			
56.	S-17387	PIN SPACER			
57.	M-2196	LOWER COLLAR			
58.	S-17385	LINK PIN			
59.	S-2612	CONNECTOR			
60.	S-20620	GT RING			