



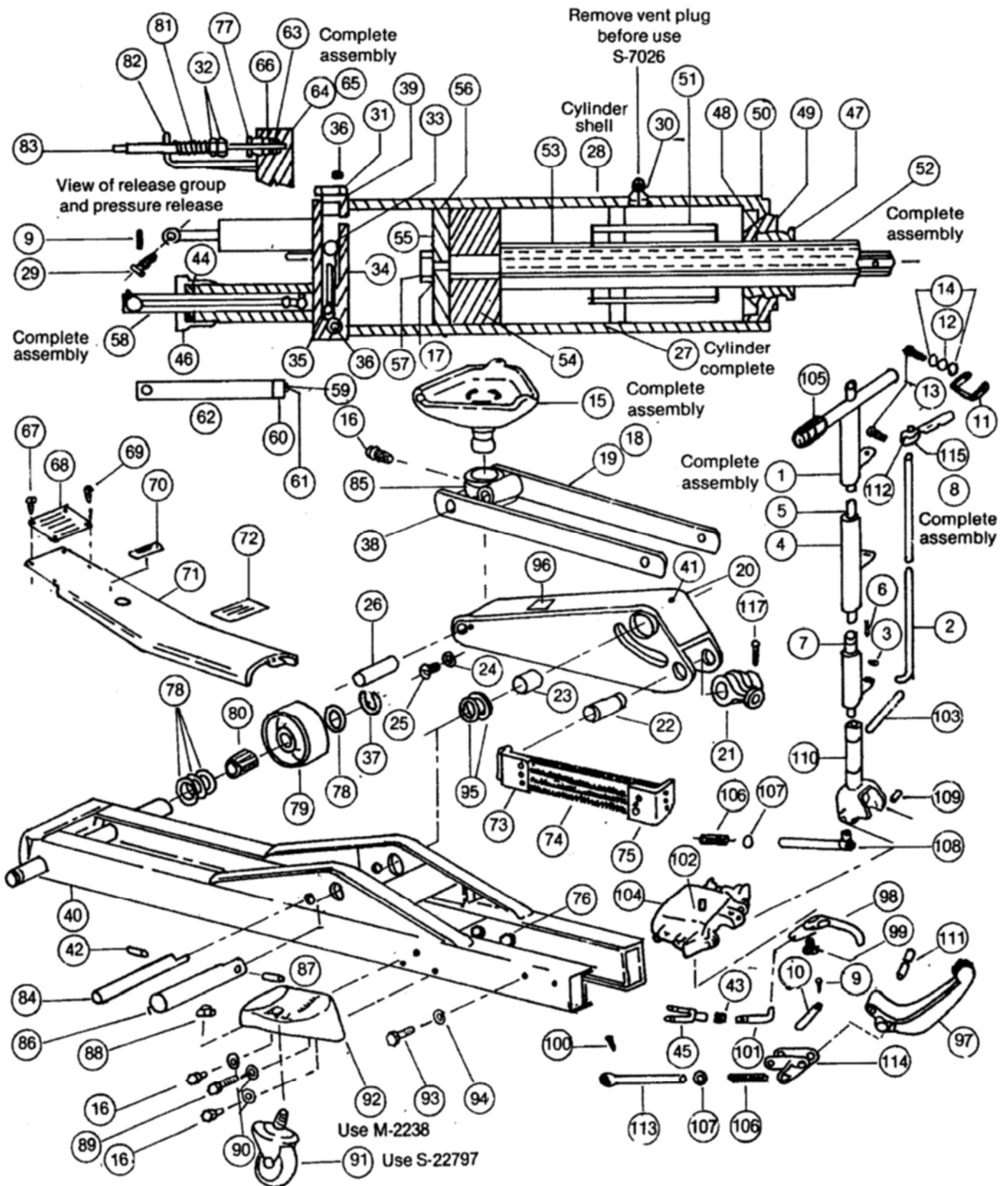
WEAVER[®]

Model WA-72B

Parts List and Breakdown

**Weaver Jack Corporation
343 Lawrence Street
Adrian, MI 49221
(517) 263-6500**

WA-72B Parts Breakdown



Note (1): Made with two or three spring assembly; see WA-72A for two spring assembly.

WA-72B Repair Parts List

ITEM #	PART #	QTY.	DESCRIPTION	ITEM #	PART #	QTY.	DESCRIPTION
1.	AS-6565	1	HANDLE ASSEMBLY	60.	S-7265	1	PUMP CUP
2.	S-6637	1	RELEASE ROD	61.	S-7050	1	WASHER 17/64 ID X 15/32 OD
3.	S-102	1	SQ HD SET SCREW 3/8-16 X 3/4	62.	S-7443	1	PUMP PLUNGER
4.	AS-5129	1	HANDLE	63.	AS-21052	1	PACKING ASSEMBLY
5.	AS-6641	1	LOCK ROD	64.	S-17829	1	O-RING
6.	S-4074	1	COTTER PIN 1/16 X 3/4	65.	S-21051	1	PACKING HOUSING
7.	S-1353	1	HANDLE SPRING	66.	S-15047	1	O-RING
8.	AS-22107	1	RELEASE HANDLE ASSEMBLY	67.	S-12660	2	RD HD SELF-TAP SCW 10-32 X 3/8
9.	S-275	3	COTTER PIN 1/8 X 3/4	68.	S-23225	1	NAMEPLATE
10.	S-7299	2	PUMP PLUNGER PIN	69.	S-2579	2	DRIVE SCREW 4 X 5/16
11.	S-7075	1	RELEASE LOCK	70.	S-24747	1	GOV'T LABEL
12.	S-13520	1	SPRING WASHER	71.	S-23235	1	COVER
13.	S-23872	3	SQ. HD. SET SCREW 1/4-20 X 3/4	72.	S-21023	1	CAUTION LABEL
14.	S-437	2	FLAT WASHER 1/4	73.	S-22747A	1	LG. SPRING CLIP
15.	M-2122	1	SADDLE	74.	S-16061	6	SPRING
16.	S-105	5	HEX HD. CAPSCREW 3/8-16 X 1	75.	S-22746A	2	SM. SPRING CLIP
17.	S-3277	1	INT LOCKWASHER 3/8	76.	S-595	6	HEX NUT 3/8-16
18.	AS-27118	1	PARALLEL LINK ASSEMBLY	77.	S-5176	1	RELEASE PACKING NUT
19.	S-23197	2	PARALLEL LINK	78.	S-899	8	WASHER 1-1/32 ID X 1-3/4 OD
20.	AS-24867	1	ARM	79.	M-2271	2	FRONT WHEEL
21.	M-1444	1	CROSSHEAD	80.	S-23194	2	CAGE ROLLER
22.	S-23201	1	CROSSHEAD PIN	81.	S-2591	1	RELEASE VALVE SPRING
23.	S-6576	2	BEARING	82.	S-5173	1	RELEASE VALVE GUIDE
24.	S-10189	1	INT LOCKWASHER 3/8	83.	S-21049A	1	RELEASE VALVE PLUNGER
25.	S-6655	1	RD HD MACH SCW 1/4-20 X 3/8	84.	S-23196	1	PARALLEL LINK
26.	S-23199	1	ARM BRACKET PIN	85.	M-2247	1	SADDLE BRACKET
27.	AS-16145A	1	PUMP & CYL. ASSEMBLY	86.	S-23195	1	LIFTING ARM PIN
28.	AS-15206A	1	PUMP & CYLINDER	87.	S-22770	1	ROLL PIN
29.	S-7026	1	SELF-TAP SCW NO 4-40 X 1/4	88.	S-8542	1	ACORN NUT
30.	S-18071	1	DRILLED PIPE PLUG	89.	S-944	2	HX HD CAP SCREW 3/8-16 X 1-1/4
31.	S-9309	1	BALL CHAMBER PLUG	90.	S-1325	6	LOCKWASHER 3/8
32.	S-1863	2	JAM NUT 3/8 X 16	91.	S-22797A	2	CASTER
33.	S-2750	1	BALL 1/2	92.	M-2238	2	CASTER BRACKET
34.	S-7229	1	BALL WEIGHT	93.	S-700	4	HX HD CAP SCW 1/2-13 X 1-3/4
35.	S-2505	1	BALL 5/16	94.	S-1571	4	LOCKWASHER 1/2
36.	S-1806	4	PIPE PLUG 3/16	95.	S-26803	4	FLTWSHR 2 OD X 1-9/32 ID X 1/16
37.	S-25462	2	RETAINER RING	96.	S-23739	1	WEAVER DECAL
38.	S-23198	1	PARALLEL RIVET PIN	97.	M-1450	1	FOOT LEVER
39.	S-2594	2	BALL CHAMBER GASKET	98.	M-1417	1	RELEASE LEVER
40.	AS-23202A	1	FRAME	99.	S-6560	1	RELEASE LEVER PIN
41.	S-7452	4	FRNT WHLD BEARING SPACER	100.	S-107	1	COTTER PIN 1/8 X 1
42.	S-12617	1	ROLL PIN 3/16 X 1	101.	S-6658A	1	RELEASE PULL ROD
43.	S-1087	1	HEX NUT 5/16-24	102.	S-15035	1	ROLL PIN 3/16 X 1-1/4
44.	S-7492	3	PLUNGER PACKING	103.	S-6629	1	HANDLE PIN
45.	S-5123	1	RELEASE CLEVIS	104.	M-2246	1	TIE CASTING
46.	M-1769	1	PLUNGER PACKING NUT	105.	S-20886	2	HANDLE GRIP
47.	S-15203	1	PISTON PACKING NUT	106.	S-6623	2	HANDLE RETURN SPRING
48.	S-6654	3	PISTON PACKING NUT	107.	S-19909	2	WASHER 13/32 ID X 13/16 OD
49.	M-2018	1	CYLINDER CAP	108.	AS-27335	1	HANDLE ROD
50.	S-22961	2	GASKET	109.	S-6636	1	HANDLE RIVET
51.	S-26235	1	PISTON ROD STOP	110.	M-1442	1	HANDLE RIVET
52.	AS-6633	1	RAM HEAD ASSEMBLY	111.	S-6627	1	FOOT LEVER PIN
53.	S-6633	1	PISTON ROD	112.	S-23689	1	ROLL PIN 1/4 X 1/2
54.	M-2165	1	RAM HEAD	113.	S-23192	1	PUMP LINK ROD
55.	S-6016	1	RAM CUP	114.	M-2245	1	PUMP LINK
56.	S-6009	1	BACK-UP WASHER	115.	M-1157	1	RELEASE HANDLE
57.	S-7573	1	HEX NUT 3/8-24	116.	S-2499	2	COTTER PIN 1/4 X 2-1/4
58.	AS-7443A	1	PUMP PLUNGER ASSEMBLY	117.	S-3234	1	COTTER PIN 3/16 X 2
59.	S-7444	1	PUMP NUT				