

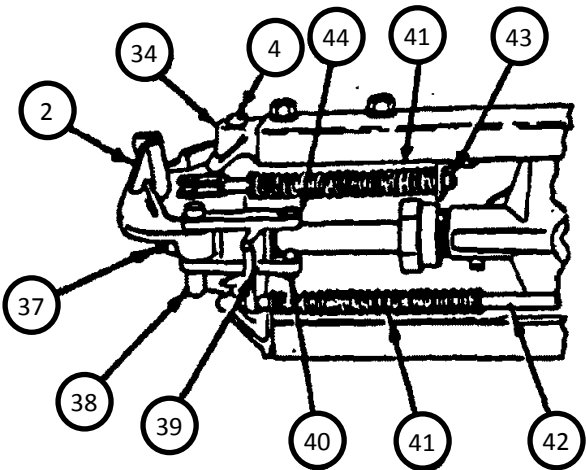
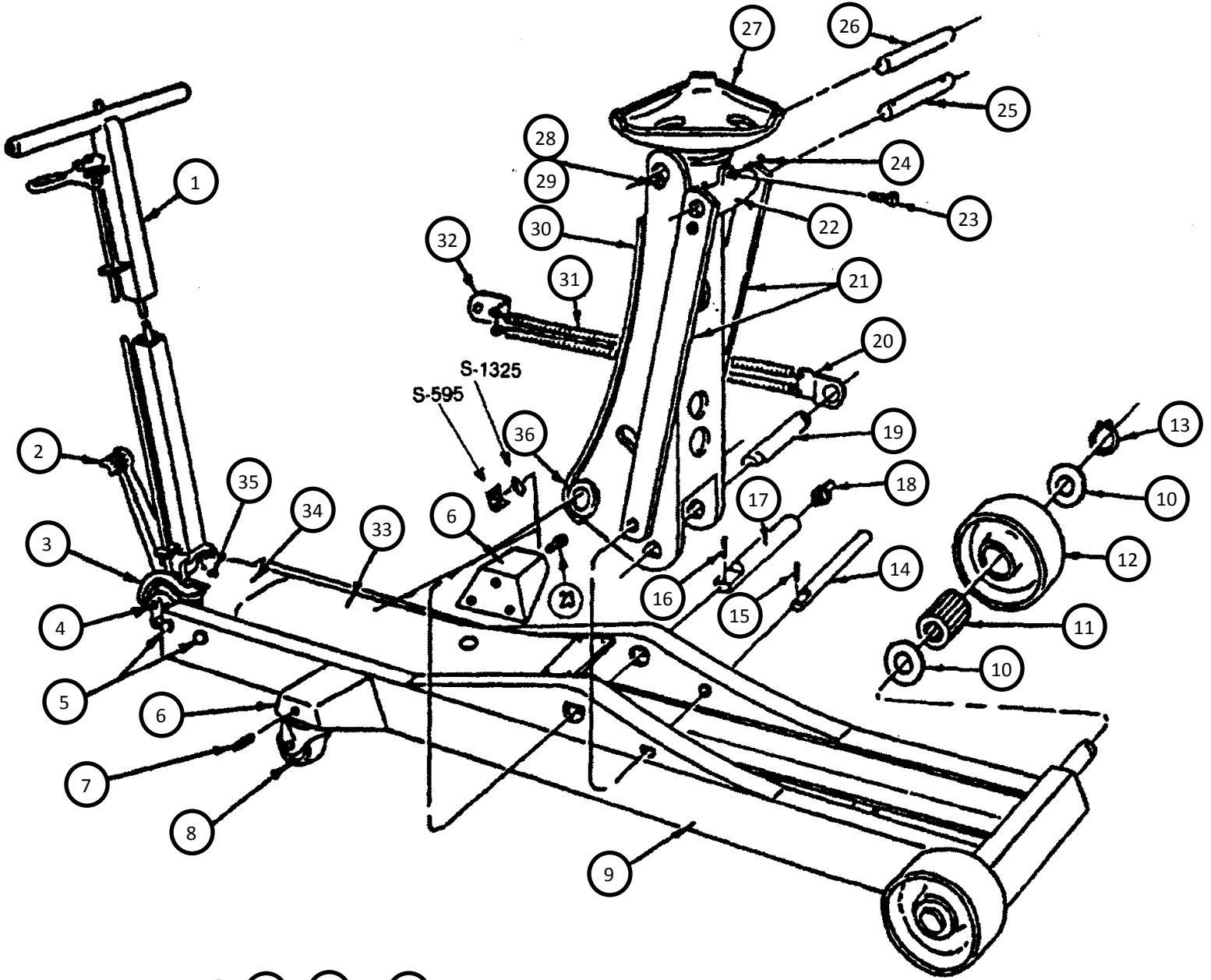
**WEAVER<sup>®</sup>**

# **Model WA-73A**

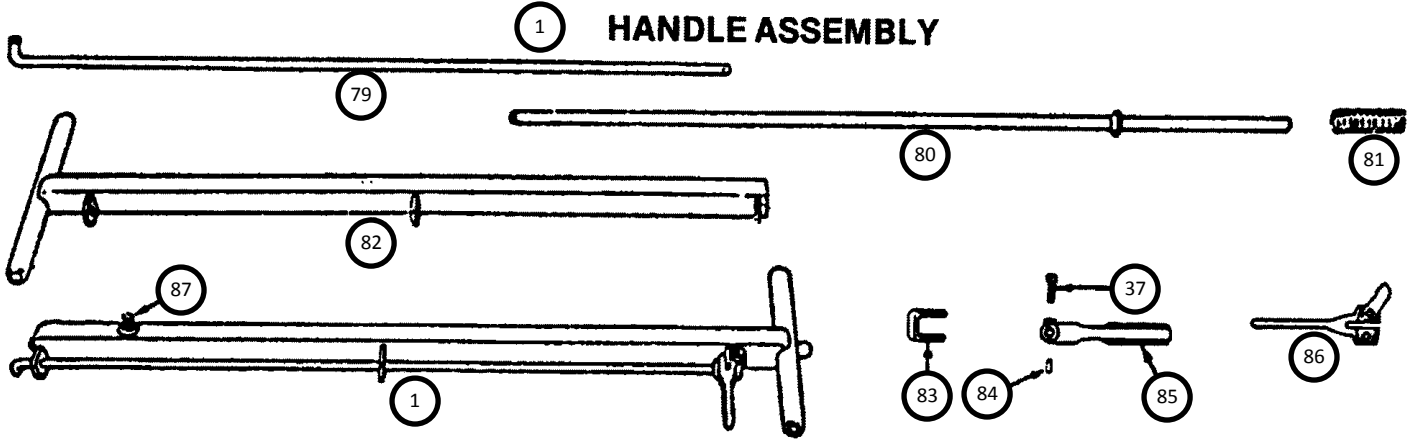
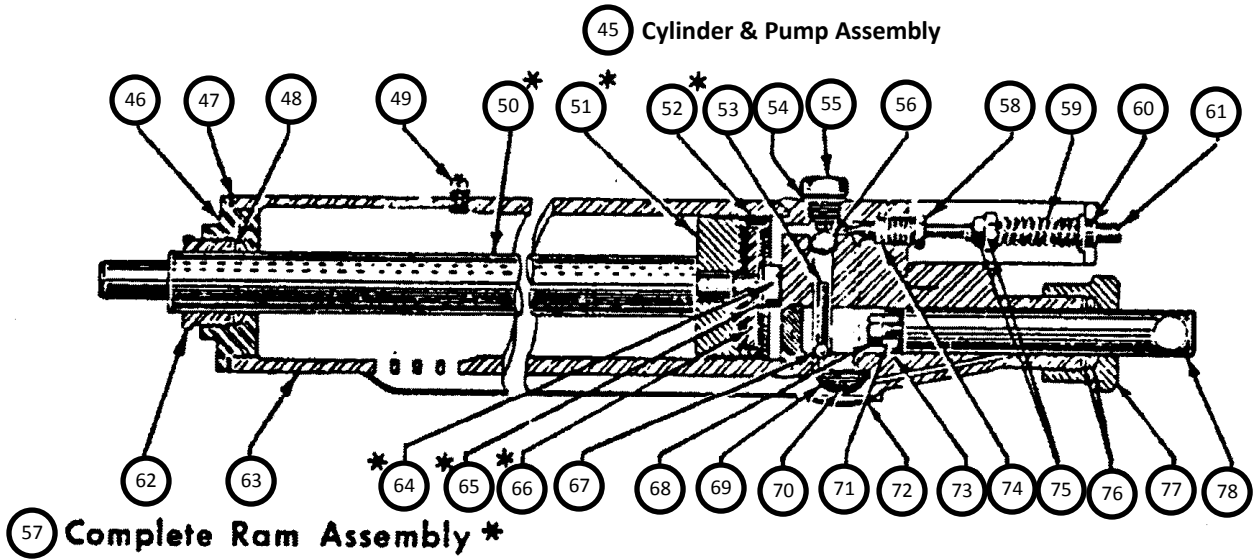
## **Parts List and Breakdown**

**Weaver Jack Corporation  
343 Lawrence Street  
Adrian, MI 49221  
(517) 263-6500**

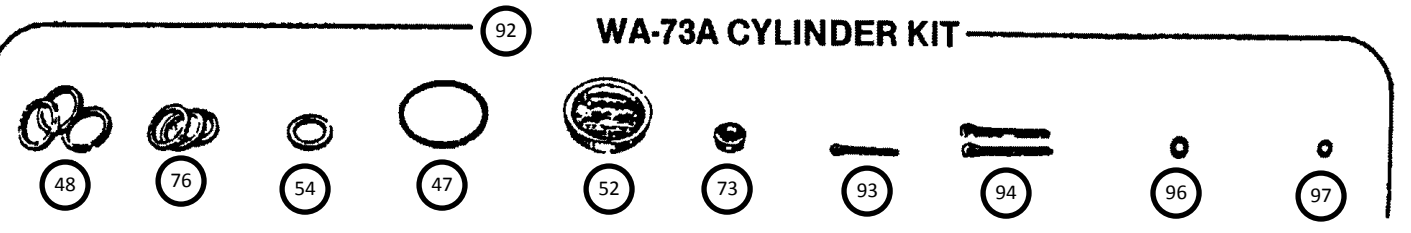
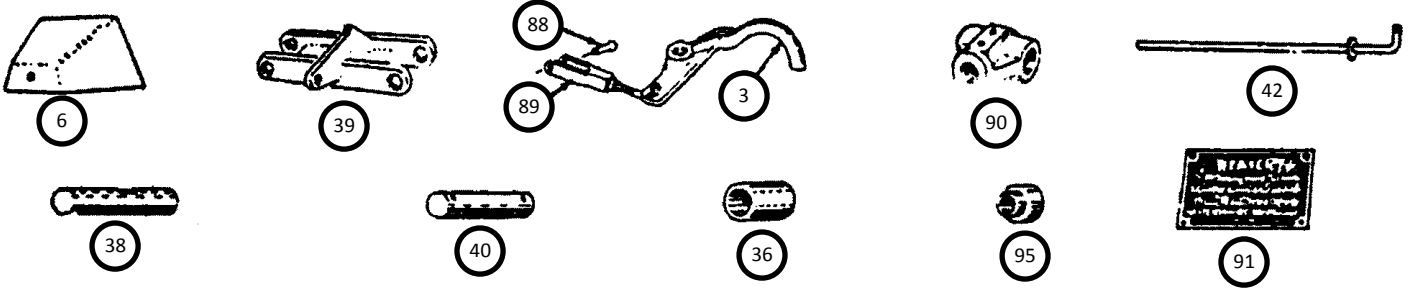
# WA-73A Parts Breakdown



# WA-73A Parts Breakdown



## MISCELLANEOUS CASTINGS AND MISCELLANEOUS STEEL PARTS



## WA-73A Repair Parts List

ITEM #	PART #	DESCRIPTION	ITEM #	PART #	DESCRIPTION
1.	AS-6545	HANDLE ASSEMBLY	61.	S-21050	RELEASE VALVE
2.	M-1416	FOOT LEVER	62.	M-2019	PACKING NUT
3.	M-1417	RELEASE LEVER	63.	AS-15130	PUMP & CYLINDER WELD
4.	S-6551	HANDLE PIN 3/4 X 6-1/2	64.	S-9522	HEX NUT 1/2-20 NF
5.	S-114	HEX HD CAP SCREW 1/2-13NC X 2-1/2	65.	S-3008	LOCKWASHER 7/8 OD X 1/2 ID X 1/16 THK
6.	M-2238	CASTER BRACKET	66.	S-2782	RAM CUP WSH 2-5/8 OD X 33/64 ID X 1/4 THK
7.	S-8543	SET SCREW, CUP POINT 1/4-20 X 5/8	67.	S-2505	BALL 5/16
8.	S-22797	CASTER WHEEL	68.	S-1863	HEX NUT 5/16-24 NF
9.	AS-22705	FRAME WHELD	69.	S-5175	SCREEN
10.	S-899	WASHER 1-3/4 OD X 1-1/32 ID X 3/32 THK	70.	S-13558	MAGNET 1/8 X 1/4 X 1
11.	S-22795	CAGE BEARING	71.	S-7413	PUMP CUP WASHER 5/8 OD X 21/64 ID X 5/16
12.	M-840	WHEEL	72.	S-2497	WELCH PLUG
13.	S-22796	RETAINING RING	73.	S-24648	PUMP CUP
14.	S-22745	PARALLEL LINK PIN	74.	AS-21052	PACKING ASSEMBLY
15.	S-15285	ROLL PIN 3/16 X 3/4	75.	S-1934	HEX JAM NUT 3/8-16 NC
16.	S-15035	ROLL PIN 3/16 X 1-1/4	76.	S-7412	PLUNGER PACKING
17.	S-22744	LIFTING ARM PIN	77.	M-1167A	PUMP PACKING NUT
18.	S-5096	GREASE FITTING	78.	S-24497	PUMP PLUNGER
19.	S-22743	CROSSHEAD PIN 1-1/8 X 5	79.	S-5261	RELEASE ROD
20.	S-22747	LARGE SPRING CLIP	80.	AS-6550	HANDLE WELD
21.	S-6538	PARALLEL LINK	81.	S-2329	SPRING COMP
22.	M-1415	SADDLE BRACKET	82.	AS-6660	HANDLE WELD
23.	S-105	SET SCREW SQ HD 3/8-16 NC X 1	83.	S-7075	RELEASE LOCK
24.	S-2907	COTTER PIN	84.	S-23689	RELEASE LOCK PIN 1/4 X 1/2
25.	S-5264	PARALLEL BAR PIN	85.	M-1157	RELEASE LOCK HANDLE
26.	S-6554	UPPER BRACKET PIN	86.	AS-22107	RELEASE LOCK HANDLE ASSEMBLY
27.	M-2122	SADDLE	87.	S-102	SET SCREW SQ HD
28.	S-6655	RD HD MACH SCW 1/4-20 NC X 1/2	88.	S-4710	CLEVIS PIN 3/8
29.	S-4058	LOCKWASHER	89.	S-5123	YOKE
30.	AS-23344	LIFTIN ARM WELD ASSEMBLY	90.	M-1716	CROSS HEAD
31.	S-16061	EXT SPRINGS	91.	S-23041	NAME PLATE
32.	S-22746	SMALL SPRING CLIP	92.	KJ-107	CYLINDER REPAIR KIT
33.	S-23023	COVER	93.	S-3234	COTTER PIN 1/4 X 2
34.	M-2239	TIE CASTING	94.	S-2499	COTTER PIN 1/4 X 2-1/4
35.	S-6560	RELEASE LEVER PIN	95.	S-21051	PACKING HOUSING
36.	S-6575	BEARING	96.	S-17829	O-RING 9/16 OD
37.	S-23872	SET SCW SQ HD	97.	S-15047	O-RING 3/8 OD
38.	S-6552	FOOT LEVER PIN			
39.	M-2237	PUMP LINK			
40.	S-6549	PUMP PLUNGER PIN			
41.	S-1365	SPRING COMP			
42.	S-27383	RETURN ROD			
43.	AS-20415	RETURN ROD SPRING GUIDE			
44.	S-107	COTTER PIN 1/8 X 1			
45.	AS-23347	CYLINDER & PUMP ASSEMBLY			
46.	M-2016	CYLINDER CAP			
47.	S-22962	CYLINDER GASKET 3-5/8 OD			
48.	S-6614	PISTON ROD PACKING			
49.	S-18071	PLUG, DRILLED			
50.	S-7487	RAM (SEE NOTE A)			
51.	M-2166	RAM HEAD (SEE NOTE A)			
52.	S-4714	RAM CUP			
53.	S-5355	BALL WEIGHT			
54.	S-2594	GASKET			
55.	S-9309	BALL CHAMBER PLUG			
56.	S-2750	BALL 1/2			
57.	AS-21379	RAM ASSEMBLY			
58.	S-5176	RELEASE PACKING NUT			
59.	S-2591	RELEASE SPRING COMP			
60.	S-5173	RELEASE VALVE GUIDE			

**Note A:**

M-2166 has been changed to eliminate breakage. Material thickness was 13/16" thick, new parts are 1.218" thick. In order to accommodate additional thickness of M-2166, S-7487 has to be remachined or replaced. For further information please contact Service Manager.