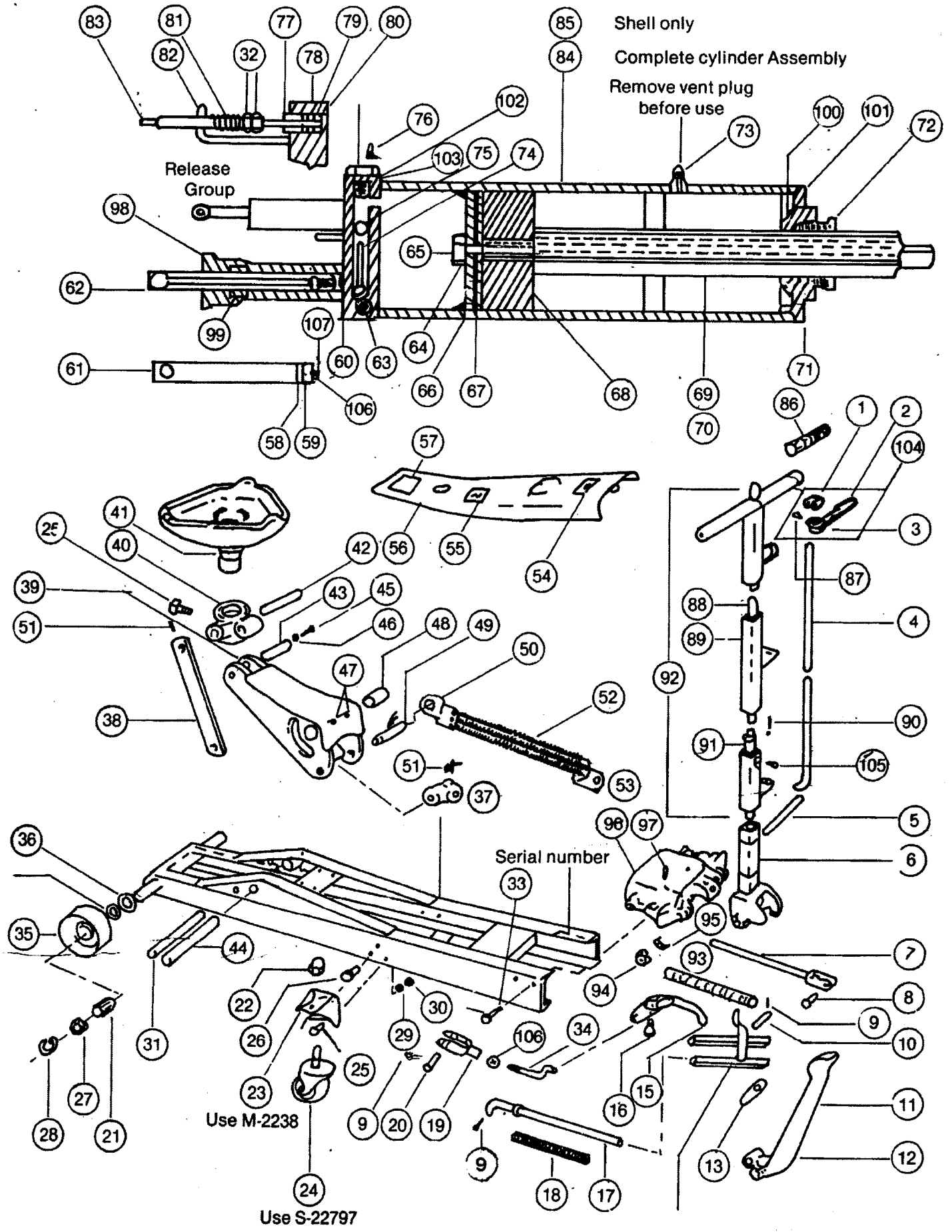


**WEAVER<sup>®</sup>**

**Model WA-73B**  
**Parts List and Breakdown**

**Weaver Jack Corporation**  
**343 Lawrence Street**  
**Adrian, MI 49221**  
**(517) 263-6500**

# WA-73B Parts Breakdown



## WA-73B Repair Parts List

ITEM #	PART #	DESCRIPTION	ITEM #	PART #	DESCRIPTION
1.	S-7075	RELEASE LOCK	61.	S-24497	PUMP PISTON
2.	M-1157	RELEASE HANDLE	62.	AS-24498	PUMP PISTON ASSEMBLY
3.	S-23689	ROLL PIN 1/2 X 1/2	63.	S-1806	PIPE PLUG 3/16 NPT
4.	S-5261	RELEASE ROD	64.	S-3008	LOCKWASHER 1/2
5.	S-6551	HANDLE YOKE PIN	65.	S-9522	HEX NUT 1/2-20 NF
6.	M-1414	HANDLE YOKE	66.	S-4714	PISTON CUP
7.	AS-20495	RETURN ROD ASSEMBLY	67.	S-2782	PISTON CUP WASHER
8.	S-5263	HANDLE YOKE RIVET	68.	M-2166	RAM HEAD
9.	S-107	COTTER PIN 1/8 X 1	69.	S-7487A	PISTON ROD
10.	S-6549	CLEVIS PIN	70.	AS-21379	PISTON ROD ASSEMBLY
11.	M-1416	FOOT PEDAL	71.	M-2016	CYLINDER CAP
12.	S-23872	SQ HD SET SCREW 1/4 NC X 5/8	72.	M-2019	PISTON PACKING NUT
13.	S-6552	FOOT PEDAL PIN	73.	S-18071	FILLER PLUG
14.	M-2237	PUMP LINK	74.	S-5355	BALL WEIGHT
15.	M-1417	RELEASE LEVER	75.	S-2750	BALL 1/2
16.	S-6560	RELEASE LEVER PIN	76.	S-1805	PIPE PLUG
17.	S-27384	RETURN PLUNGER PIN	77.	S-5176	RELEASE PACKING NUT
18.	S-9786	RETURN SPRING	78.	S-21051	PACKING HOUSING
19.	S-5123	RELEASE CLEVIS	79.	S-15047	O-RING 3/8
20.	S-4710	RELEASE CLEVIS PIN	80.	S-17829	O-RING 9/16
21.	S-22795	CAGE ROLLER BEARING	81.	S-2591	RELEASE SPRING
22.	S-6605	ACORN NUT	82.	S-5173	RELEASE VALVE GUIDE
23.	M-2238A	SWIVEL CASTER BRACKET	83.	S-21050	RELEASE VALVE
24.	S-22797A	SWIVEL CASTER	84.	AS-23347A	COMPLETE CYLINDER ASSEMBLY
25.	S-105	HX HD SCW 3/8-16 NC X 1	85.	AS-15130A	COMPLETE SHELL
26.	S-944	HX HD SCW 3/8-16 NC X 1-1/4	86.	S-20886	HANDLE GRIPS
27.	S-899	WASHER 1-3/4 OD X 1-1/32 ID X 3/32 THK	87.	S-23872	SQ HD SET SCREW 1/4-20 X 3/4
28.	S-22796	RETAINING RING	88.	AS-6550	LOCK ROD
29.	S-1325	LOCKWASHER 3/8	89.	AS-6660	HANDLE WELDMENT
30.	S-595	HEX NUT 3/8-16	90.	S-4074	COTTER KEY 1/16 - 1/2
31.	S-22745	PARALLEL LINK PIN 3/4 X 8-1/2	91.	S-2329	LOCK ROD RETURN SPRING
32.	S-1934	HEX NUT 3/8	92.	AS-6545	COMPLETE HANDLE ASSEMBLY
33.	S-114	HX HD CAP SCREW 1/2-13 NC X 2-1/2	93.	S-1366	HANDLE RETURN SPRING
34.	S-6546	RELEASE PULL ROD	94.	S-508	HEX HEAD 1/2-73
35.	M-840	WHEEL	95.	S-512	LOCKWASHER
36.	S-19990	WHEEL WASHER	96.	M-2239	TIE CASTING
37.	M-1716	CROSSHEAD	97.	S-15694	ROLL PIN
38.	S-6538	PARALLEL LINK	98.	M-1167	PUMP PACKING NUT
39.	AS-23344	LIFTING ARM	99.	S-7412	PACKING WASHER 7/8
40.	M-1415	SADDLE BRACKET	100.	S-6614	PACKING WASHER 1-1/4
41.	M-2122	SADDLE	101.	S-22962	CYLINDER GASKET
42.	S-5264	PARALLEL SADDLE PIN	102.	S-9309	BALL CHAMBER PLUG
43.	S-6554	SADDLE BRACKET PIN	103.	S-2594	BALL CHAMBER GASKET
44.	S-22744A	LIFT ARM PIN 1-1/4 X 8-1/2	104.	AS-22107	RELEASE HANDLE ASSEMBLY
45.	S-6655	RD HD MACH SCW 1/4-20 BC X 1/4	105.	S-102	SQ HD SET SCREW
46.	S-10189	1/4 INT & EXT STAR WASHER	106.	S-1863	5/16 X 24 NUT
47.	S-6593	ROLL PIN 1/8 X 3/8	107.	S-7413	PUMP WASHER
48.	S-6575	LIFT ARM BUSHING			
49.	S-22743	CROSSHEAD PIN			
50.	S-22747A	SPRING RETAINER			
51.	S-2907	COTTER KEY 3/16 X 2			
52.	S-16061	LIFT ARM SPRING			
53.	S-22746A	CASTER SPRING RETAINER			
54.	S-21023	CAUTION LABEL			
55.	S-24747	GOV'T LABEL			
56.	S-23023	COVER			
57.	S-23041	NAME PLATE			
58.	S-24690	BACK-UP WASHER			
59.	S-24648	PISTON CUP WASHER			
60.	S-2505	BALL 5/16			