

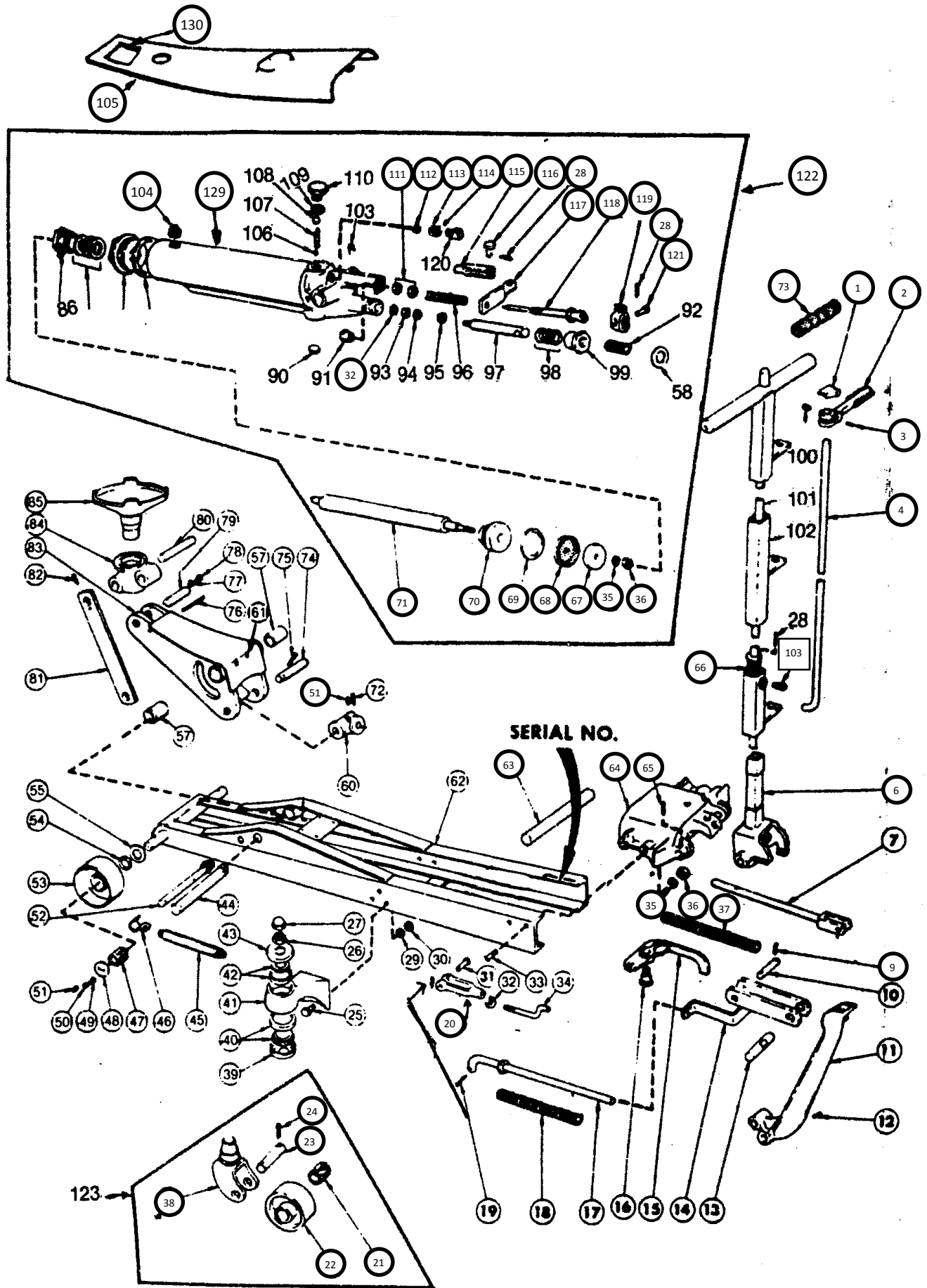
**WEAVER<sup>®</sup>**

# **Model WA-75A**

## **Parts List and Breakdown**

**Weaver Jack Corporation  
343 Lawrence Street  
Adrian, MI 49221  
(517) 263-6500**

# WA-72A Parts Breakdown



## WA-75A Repair Parts List

ITEM #	PART #	DESCRIPTION	ITEM #	PART #	DESCRIPTION
1.	S-7075	RELEASE LOCK	64.	M-1423	TIE CASTING
2.	M-1157	RELEASE HANDLE	65.	S-15694	ROLL PIN
3.	S-23689	ROLL PIN	66.	S-2329	LOCK RETURN SPRING
4.	S-5261	RELEASE ROD	67.	S-5181	RAM CUP WASHER
6.	M-1414	HANDLE YOKE	68.	S-24649	RAM CUP
7.	AS-20415	RETURN GUIDE ASSEMBLY	69.	S-24703	RING
9.	S-107	COTTER PIN 1/8 X 1	70.	M-1154-1	RAM HEAD
10.	S-24659	CLEVIS PIN	71.	S-24709	PISTON ROD
11.	M-1416	FOOT LEVER PIN	72.	S-3083	COTTER PIN 3/16 X 2-3/4
12.	S-23872	SET SCREW 1/4 NC X 5/8	73.	S-20886	HANDLE GRIP
13.	S-6552	FOOT LEVER PIN	74.	S-24707	CROSSHEAD PIN
14.	AS-9785	PUMP LINK ASSEMBLY	75.	S-3234	COTTER PIN 3/16 X 2
15.	M-1148	RELEASE LEVER	76.	S-6577	SECTOR SPRING KEY
16.	S-6586	RELEASE LEVER PIN	77.	S-10189	LOCKWASHER 1/4 INT
17.	S-27384	PLUNGER RETURN ROD	78.	S-160	MACH SCW 1/4-20 NC X 3/8
18.	S-9786	PLUNGER RETURN SPRING	79.	S-6580	LIFTING ARM PIN
19.	S-275	COTTER PIN 1/8 X 3/4	80.	S-5158	PARALLEL ARM PIN
20.	S-5123	CLEVIS	81.	S-24651	PARALLEL ARM
21.	S-15398	ROLLER BEARING	82.	S-16099	COTTER PIN 3/16 X 2-1/4
22.	M-1152-1	CASTER WHEEL	83.	AS-24654	LIFTING ARM ASSEMBLY
23.	S-711	CASTER AXLE	84.	M-1433-1	SADDLE BRACKET
24.	S-293	COTTER PIN 3/16 X 1	85.	M-1159	SADDLE
25.	S-24751	12 PT CAP SCW 1/2-20 UNF X 1-1/4	86.	M-1427	PISTON PACKING NUT
26.	S-2232	HEX JAM NUT 3/4-16 UNF	87.	S-6615	PISTON ROD PACKING
27.	S-6605	HEX ACORN NUT	88.	M-1426	CYLINDER GAP
28.	S-4074	COTTER PIN 1/16 X 3/4	89.	S-22963	GASKET
29.	S-3008	INT LOCKWASHER 1/2	90.	S-2497	WELCH PLUG
30.	S-9522	HEX NUT 1/2-20 UNF	91.	S-5173	RELEASE VALVE GUIDE
31.	S-4710	RELEASE YOKE PIN	92.	S-8624	LEVER FRICTION SPRING
32.	S-1863	HEX NUT 5/16-24 UNF	93.	S-7413	PUMP LEATHER WASHER
33.	S-5014	CAP SCW 1/2-13 NC X 2-3/4	94.	S-24648	PUMP CUP LEATHER
34.	S-6576	RELEASE PULL ROD	95.	S-24690	RING
35.	S-512	LOCKWASHER 1/2	96.	S-2591	RELEASE SPRING
36.	S-508	HEX NUT 1/2-13 UNC	97.	S-24497	PUMP PLUNGER
37.	S-1365	RETURN SPRING	98.	S-7412	PLUNGER PACKING
38.	M-2030	CASTER YOKE	99.	M-1167	PUMP PACKING NUT
39.	S-15429	STAMPED CLOSURE	100.	S-23872	SQ HD SET SCW 1/4 UNC X 3/4
40.	AS-15815	LOWER BEARING ASSEMBLY	101.	AS-6550	LOCK ROD ASSEMBLY
41.	M-2028	CASTER BRACKET	102.	AS-6660	HANDLE ASSEMBLY
42.	AS-15814	UPPER BEARING ASSEMBLY	103.	S-102	SQ HD SET SCW 1/4 UNC X 3/4
43.	S-24650	CASTER BEARING CAP	104.	S-5178	FILLER PLUG
44.	S-28009	SECTOR PIN	105.	AS-12393	COVER PLATE
45.	S-6603	SECTOR SPRING	106.	S-3282	BALL 7/16
46.	S-5127	SPRING HOOK	107.	S-5355	INTAKE BALL WEIGHT
47.	S-11103	FRONT WHEEL BEARING	108.	S-5122	BALL 5/8
48.	S-9147	FRONT WHEEL RETAINER	109.	S-5125	PLUG GASKET
49.	S-543	LOCKWASHER 1/4	110.	S-5171	BALL CHAMBER PLUG
50.	S-1877	CAP SCW 1/4-20 NC X 3/4	111.	S-1934	HEX JAM NUT 3/8-16 UNC
51.	S-5096	GREASE ZERK 1/8 NPT	112.	S-15047	O-RING
52.	S-28008	PARALLEL BAR PIN	113.	S-21051	PACKING
53.	AS-12588	FRONT WHEEL ASSEMBLY	114.	S-17829	O-RING 3/8
54.	S-5200	INSIDE HUB WASHER	115.	S-4821	PLUNGER ROD YOKE
55.	S-9149	INSIDE WHEEL	116.	S-4710	PIN
56.	S-24687	LIMIT ROD	117.	S-24685	RELEASE LINK
57.	S-6592	BUSHING	118.	AS-24684	RELEASE VALVE ASSEMBLY
58.	S-19990	LEVER SPRING WASHER	119.	S-7180	NEEDLE EXTENSION
59.	S-1878	HEX NUT 1/4-28 UNF	120.	S-5176	RELEASE PACKING NUT
60.	M-1158	CROSSHEAD	121.	S-4710	PIN, CLEVIS
62.	AS-24658	FRAME ASSEMBLY	122.	AS-24691	PUMP ASSEMBLY (COMPLETE)
63.	S-24705	CYLINDER PIN	123.	AS-24621	CASTER ASSEMBLY

## WA-75A Repair Parts List

ITEM #	PART #	DESCRIPTION
124.	AS-6545	HANDLE ASSEMBLY
125.	AS-24494	PISTON ROD ASSEMBLY
126.	AS-24498	PUMP PLUNGER ASSEMBLY
127.	AS-21052	PACKING ASSEMBLY
128.	AS-22107	RELEASE HANDLE ASSEMBLY
129.	AS-24485	CYLINDER SHELL
130.	S-28082	NAME PLATE